

For further information and sales
t: +44(0)1706 878558
e: sales@mptgroup.com



VERSO-QUILT

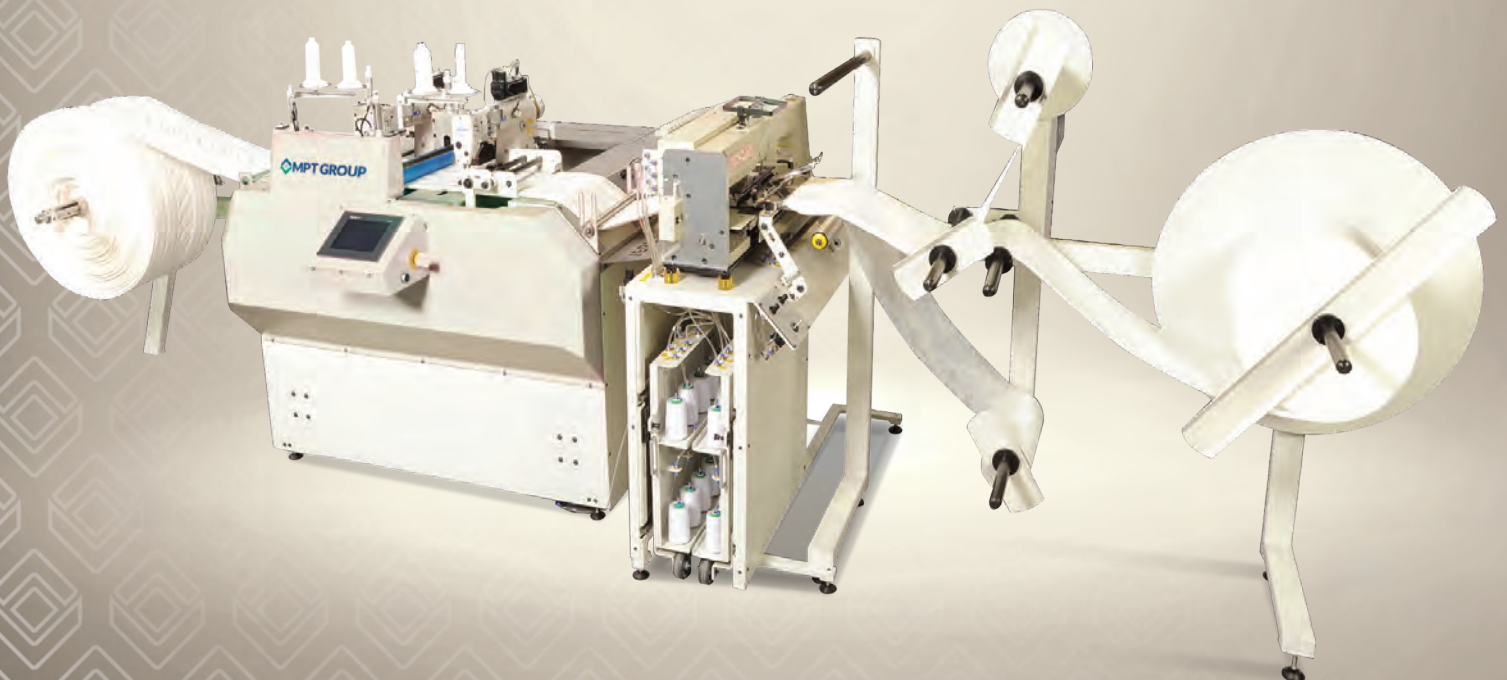
Multi-functional 3D border quilting machine

Utilising high speed servo controlled sewing heads the Verso-Quilt delivers a limitless range of pattern effects and border finishes. Verso-Quilt can be supplied as a twin head system or linked into an optional multi-needle sewing head to further enhance your borders with 3D spacer fabrics and decorative tapes.

KEY FEATURES

- ◆ Multiple head sewing technology
- ◆ Full servo control
- ◆ Large pattern range
- ◆ Chain stitch sewing technology
- ◆ Touch screen control with on-screen pattern adjustment

Various quilting options

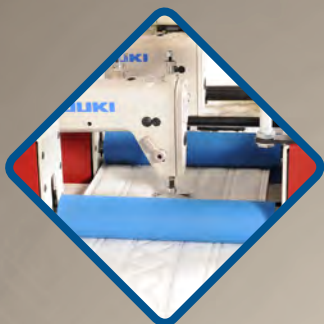


For further information and sales
t: +44(0)1706 878558
e: sales@mptgroup.com



TECHNICAL SPECIFICATION

Twin head sewing capability



Integrated multi-needle sewing head



Touch screen



VERSO-QUILT

High speed multi head border quilt machine

MORE FEATURES & OPTIONS

- ◆ Multi-needle sewing head for increased pattern options and
- ◆ 3D spacer or tape effects
- ◆ Auto-hemming
- ◆ Automatic border measure and cut system
- ◆ Voltage options: 415v - 3 phase + neutral

Standard Machine Feature

Multiple head sewing technology

Large pattern range

Chain stitch sewing technology

Touch screen control with on-screen pattern adjustment

Technical Data

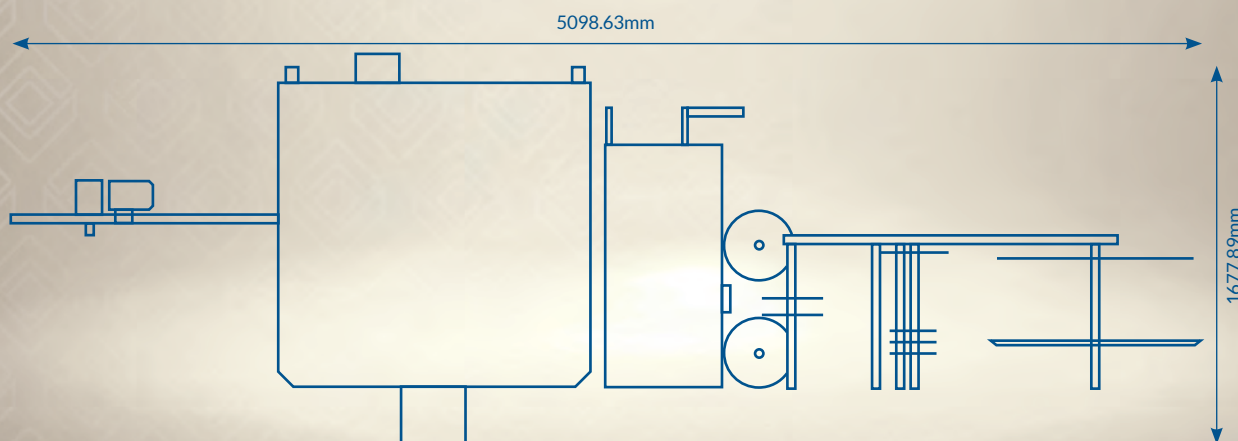
Maximum material width:
14" (355mm)

Maximum finished quilting width:
13" (330mm)

Stitch length range: 1mm - 4mm

Air requirement: 4 bar / 8psi

*FOOT PLATE DIMENSIONS



**May change due to machine options and variations*

Divisions of MPT Group Limited: FANGHANEL MATRAMATIC INFINITY SLEEP SUPPORT SYSTEM



w: mptgroup.com